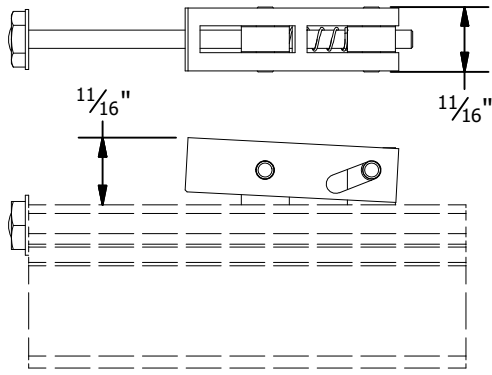
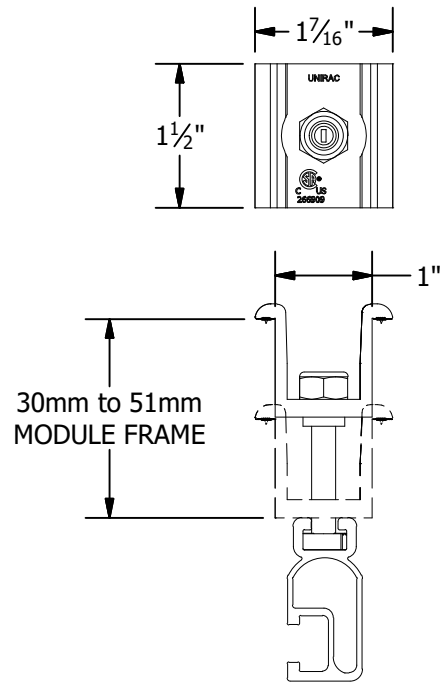


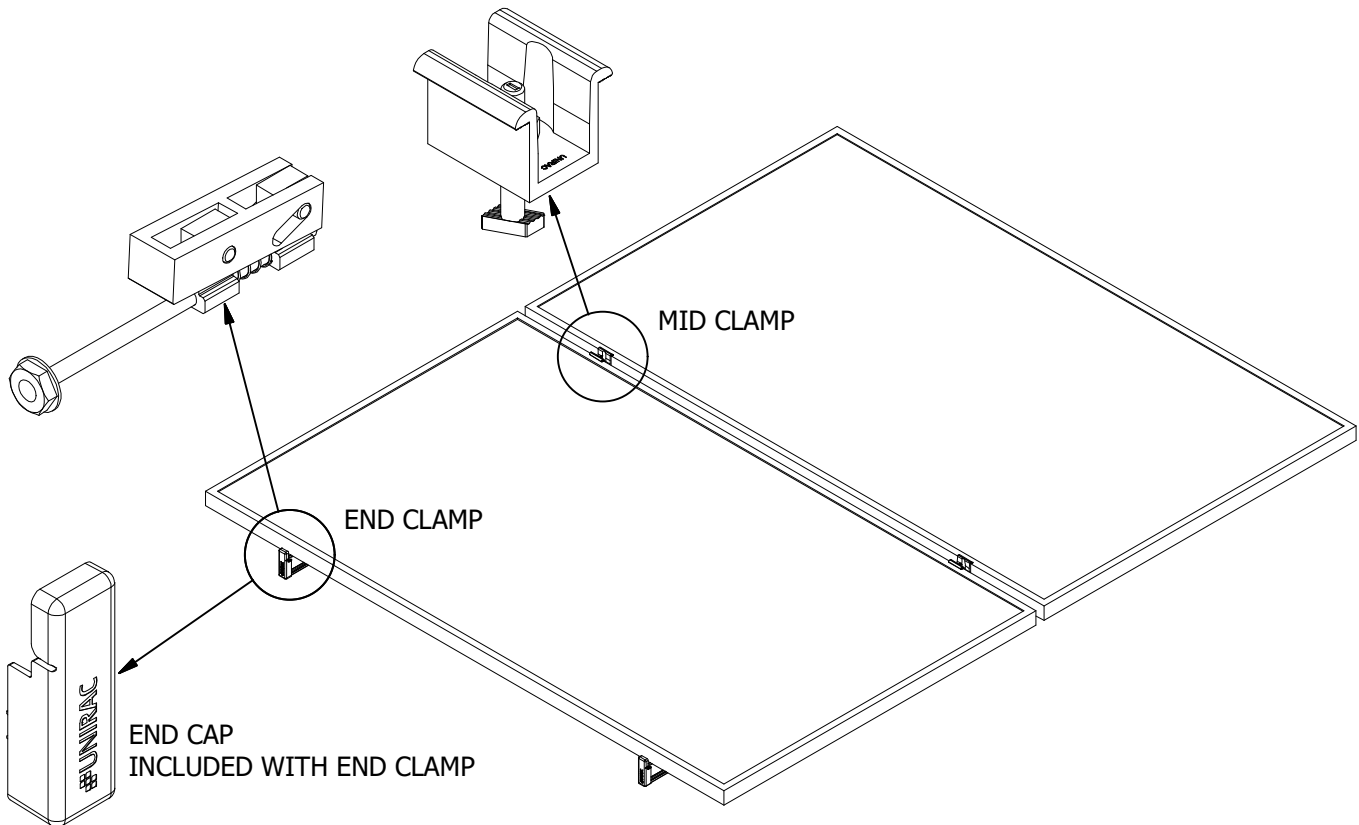
PRO SERIES END CLAMP



PRO SERIES MID CLAMP



PART # TABLE	
P/N	DESCRIPTION
302035M	ENDCLAMP PRO
302030M	MIDCLAMP PRO - MILL
302030D	MIDCLAMP PRO - DRK



1411 BROADWAY BLVD. NE
 ALBUQUERQUE, NM 87102 USA
 PHONE: 505.242.6411
 WWW.UNIRAC.COM

PRODUCT LINE:	SOLARMOUNT
DRAWING TYPE:	PART & ASSEMBLY
DESCRIPTION:	PRO SERIES BONDING CLAMPS
REVISION DATE:	10/26/2017

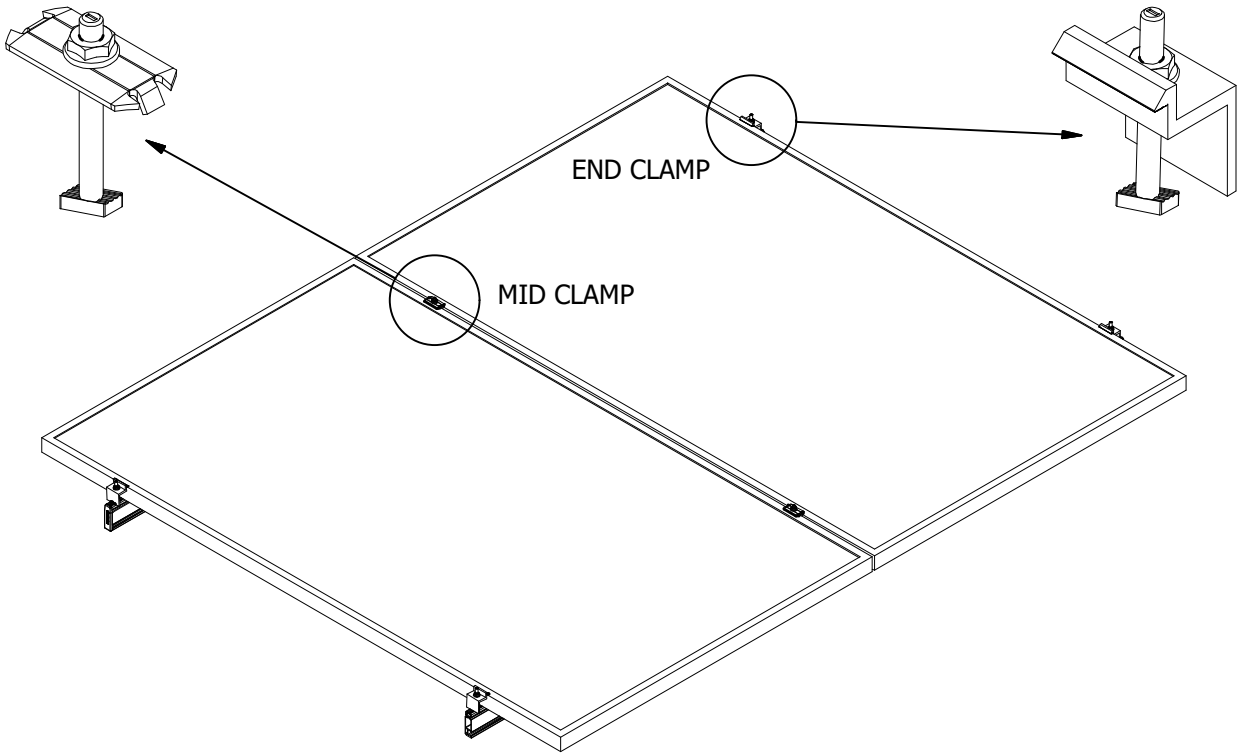
DRAWING NOT TO SCALE
 ALL DIMENSIONS ARE NOMINAL

PRODUCT PROTECTED BY ONE OR MORE US PATENTS

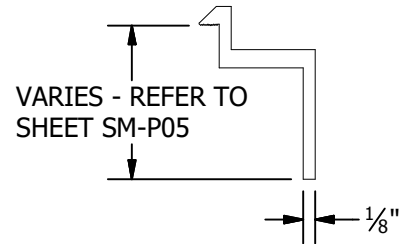
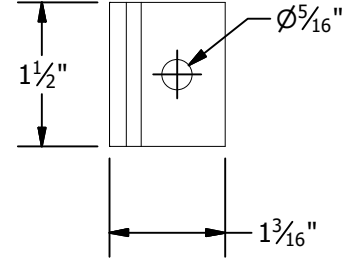
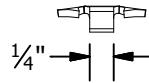
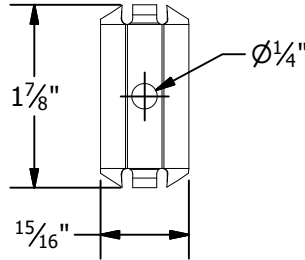
LEGAL NOTICE

SM-A01

SHEET



PART # TABLE	
P/N	DESCRIPTION
302027C	SM BND MIDCLAMP BC SS
302027D	SM BND MIDCLAMP BC DRK SS
302028C	SM BND MIDCLAMP EF SS
302028D	SM BND MIDCLAMP EF DRK SS
302029C	SM BND MIDCLAMP DK SS
302029D	SM BND MIDCLAMP DK DRK SS
	FOR BONDING END CLAMP REFER TO SHEET SM-P05



BONDING SM MID CLAMP

BONDING SM END CLAMP



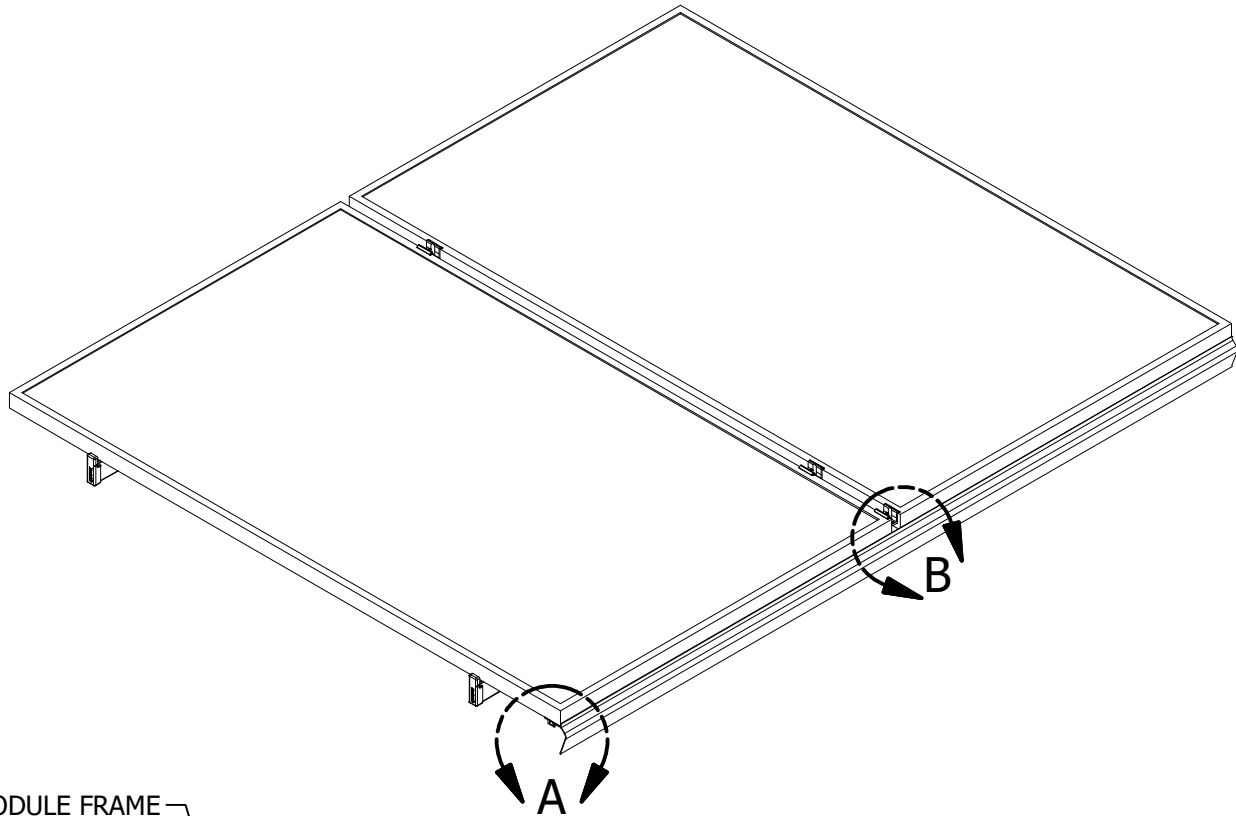
1411 BROADWAY BLVD. NE
ALBUQUERQUE, NM 87102 USA
PHONE: 505.242.6411
WWW.UNIRAC.COM

PRODUCT LINE:	SOLARMOUNT
DRAWING TYPE:	PART & ASSEMBLY
DESCRIPTION:	BONDING TOP CLAMPS
REVISION DATE:	10/26/2017

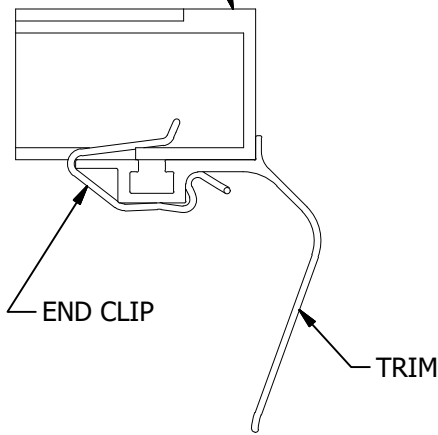
DRAWING NOT TO SCALE
ALL DIMENSIONS ARE
NOMINAL

PRODUCT PROTECTED BY
ONE OR MORE US PATENTS
LEGAL NOTICE

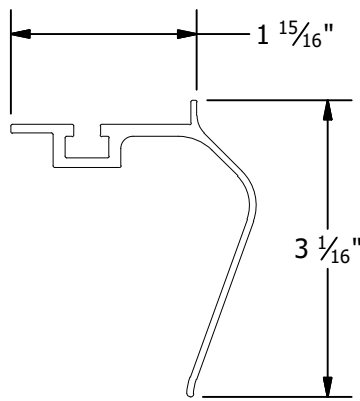
SM-A01A
SHEET



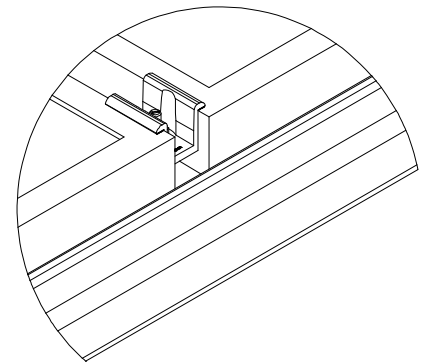
MODULE FRAME



DETAIL A
TRIM END CLIP



TRIM



DETAIL B
MID CLAMP TRIM CONNECTION

PART # TABLE		
P/N	DESCRIPTION	LENGTH
206072D-B	SM TRIM DRK	168"
008025S	SM TRIM END CLIP	-



1411 BROADWAY BLVD. NE
ALBUQUERQUE, NM 87102 USA
PHONE: 505.242.6411
WWW.UNIRAC.COM

PRODUCT LINE:	SOLARMOUNT
DRAWING TYPE:	PART & ASSEMBLY
DESCRIPTION:	SM TRIM END CLIP
REVISION DATE:	9/27/2017

DRAWING NOT TO SCALE
ALL DIMENSIONS ARE
NOMINAL

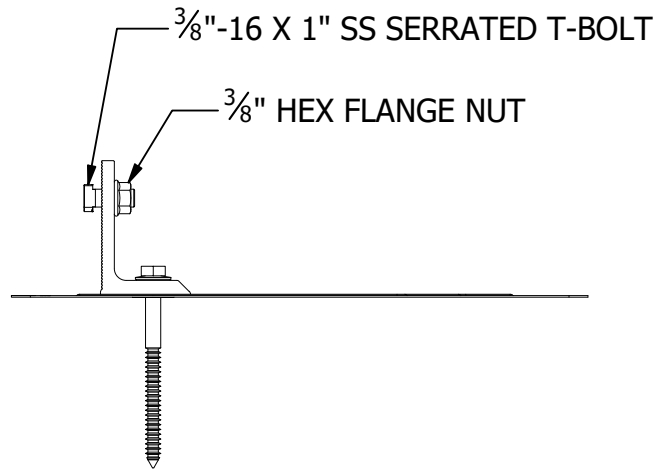
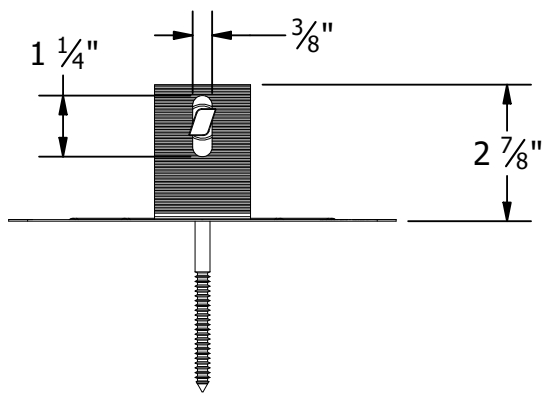
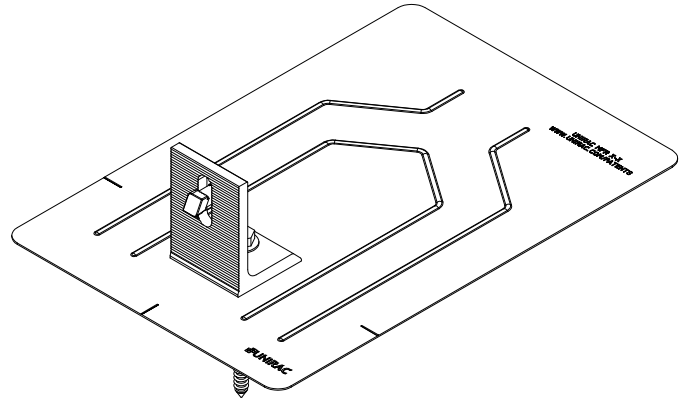
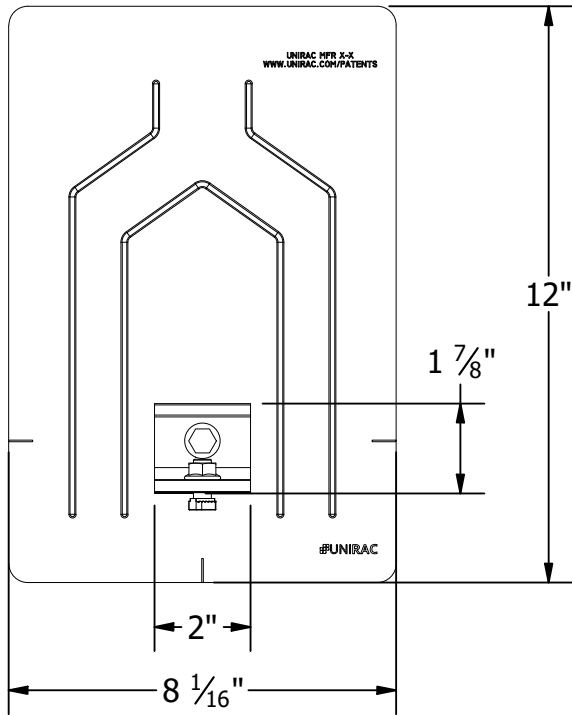
PRODUCT PROTECTED BY
ONE OR MORE US PATENTS
LEGAL NOTICE

SM-A02

SHEET

NOTES:

1. INSTALLATION TO BE COMPLETED IN ACCORDANCE WITH MANUFACTURER'S WRITTEN SPECIFICATIONS AND INSTALLATION INSTRUCTIONS.
2. PACKAGING: KITS OF 10



PART # TABLE	
P/N	DESCRIPTION
004055M	FLASHKIT PRO MILL
004055D	FLASHKIT PRO DRK



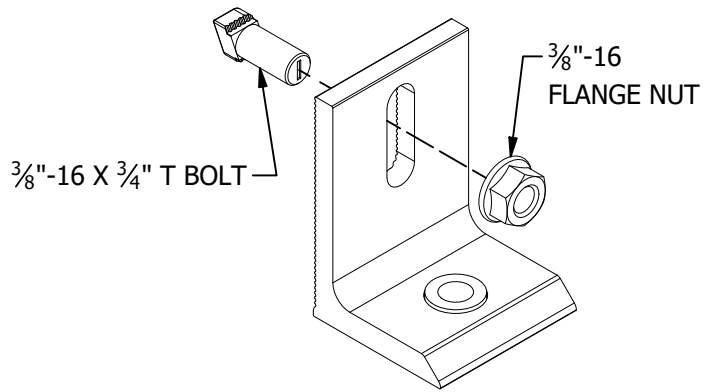
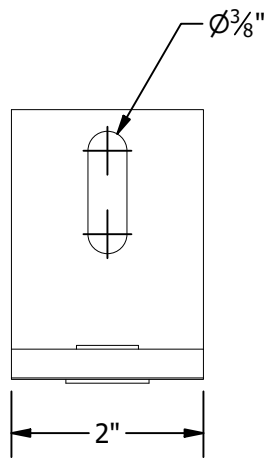
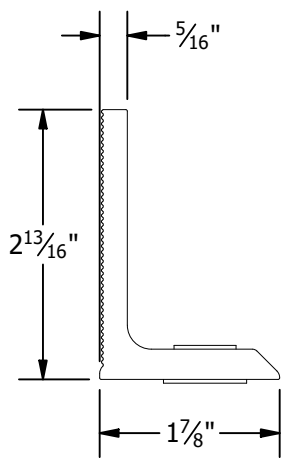
1411 BROADWAY BLVD. NE
 ALBUQUERQUE, NM 87102 USA
 PHONE: 505.242.6411
 WWW.UNIRAC.COM

PRODUCT LINE:	SOLARMOUNT
DRAWING TYPE:	KIT DETAIL
DESCRIPTION:	FLASHKIT PRO
REVISION DATE:	9/24/2018

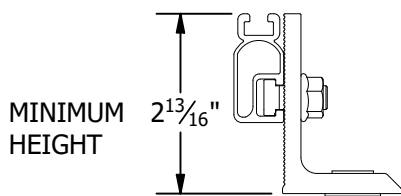
DRAWING NOT TO SCALE
 ALL DIMENSIONS ARE
 NOMINAL

PRODUCT PROTECTED BY
 ONE OR MORE US PATENTS
 LEGAL NOTICE

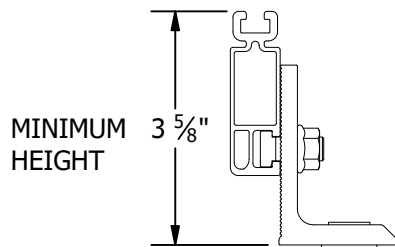
SM-A03
 SHEET



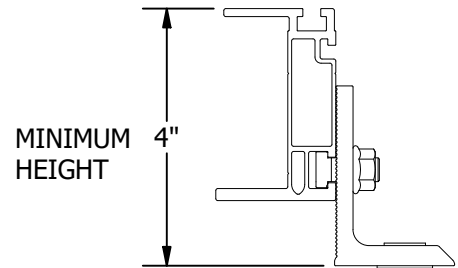
L-FOOT



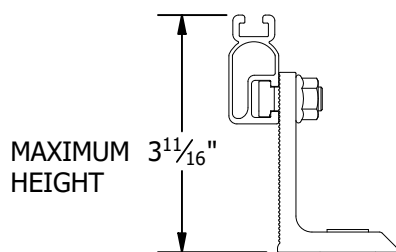
MINIMUM HEIGHT



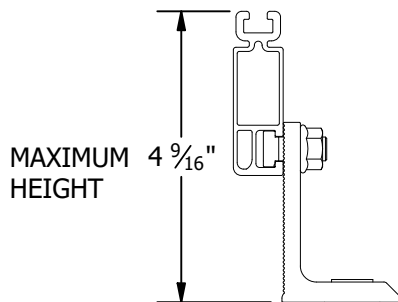
MINIMUM HEIGHT



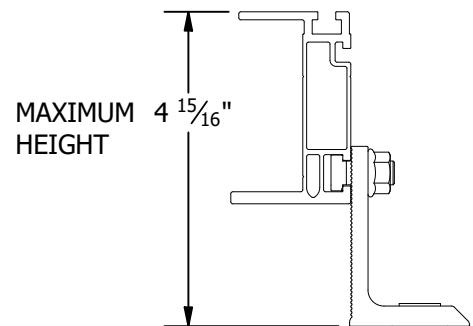
MINIMUM HEIGHT



MAXIMUM HEIGHT



MAXIMUM HEIGHT



MAXIMUM HEIGHT

SOLARMOUNT LIGHT ON L-FOOT

SOLARMOUNT STANDARD ON L-FOOT

SOLARMOUNT HD ON L-FOOT



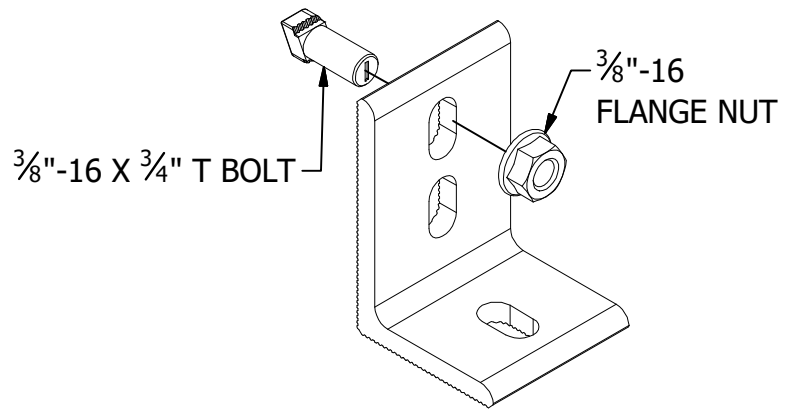
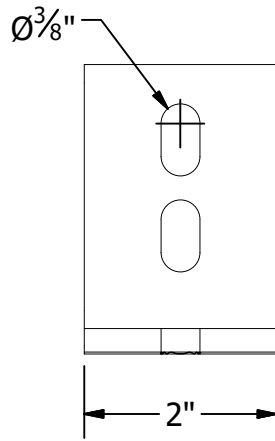
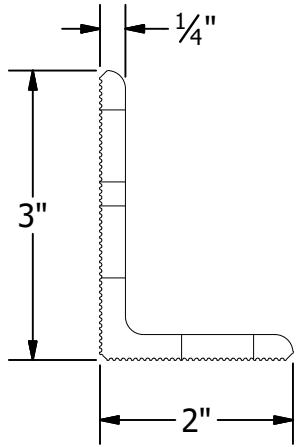
1411 BROADWAY BLVD. NE
ALBUQUERQUE, NM 87102 USA
PHONE: 505.242.6411
WWW.UNIRAC.COM

PRODUCT LINE:	SOLARMOUNT
DRAWING TYPE:	PART & ASSEMBLY
DESCRIPTION:	L-FOOT
REVISION DATE:	11/19/2018

DRAWING NOT TO SCALE
ALL DIMENSIONS ARE
NOMINAL

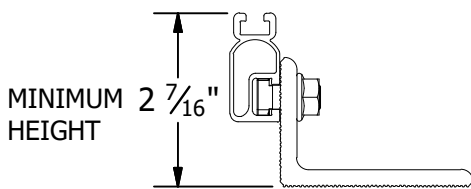
PRODUCT PROTECTED BY
ONE OR MORE US PATENTS
LEGAL NOTICE

SM-A11
SHEET

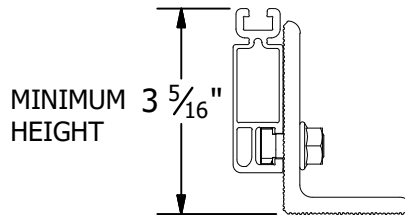


L-FOOT

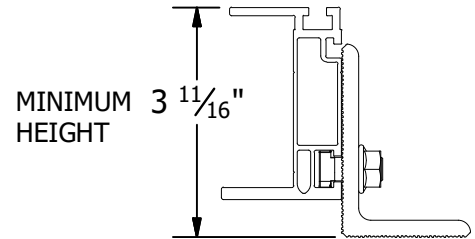
PART # TABLE	
P/N	DESCRIPTION
304001C	L-FOOT SERR W/T-BOLT CLR
304001D	L-FOOT SERR W/T-BOLT DRK



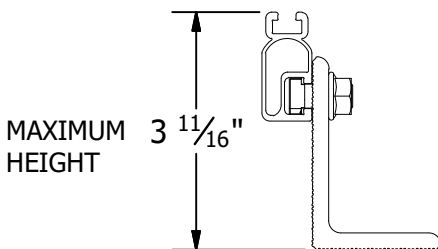
MINIMUM HEIGHT



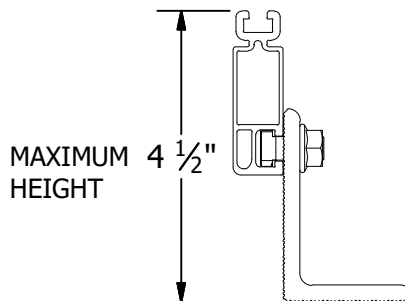
MINIMUM HEIGHT



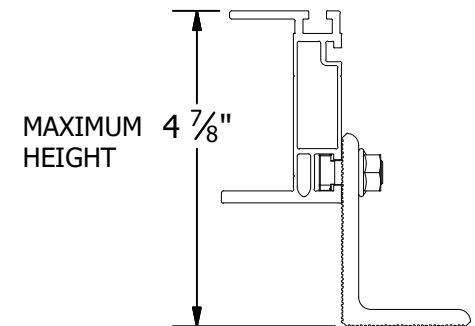
MINIMUM HEIGHT



MAXIMUM HEIGHT



MAXIMUM HEIGHT



MAXIMUM HEIGHT

SOLARMOUNT LIGHT ON L-FOOT

SOLARMOUNT STANDARD ON L-FOOT

SOLARMOUNT HD ON L-FOOT

NOTES:

1. L-FOOT CAN BE INSTALLED IN TWO ORIENTATIONS, PLEASE REFER TO INSTRUCTIONS IN THE QUICK START GUIDE.



1411 BROADWAY BLVD. NE
ALBUQUERQUE, NM 87102 USA
PHONE: 505.242.6411
WWW.UNIRAC.COM

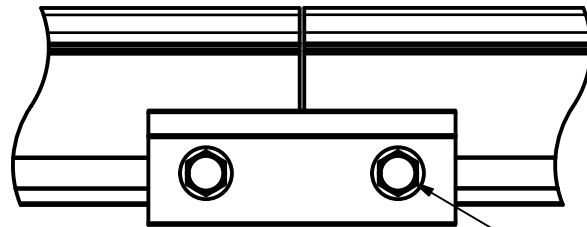
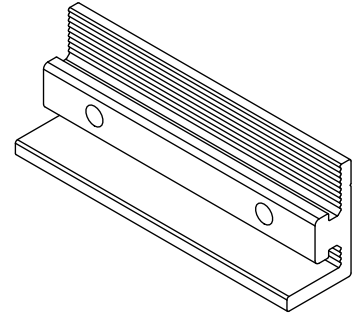
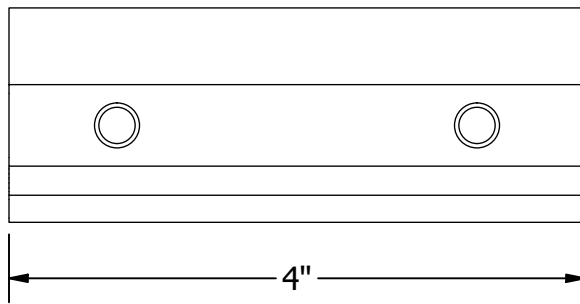
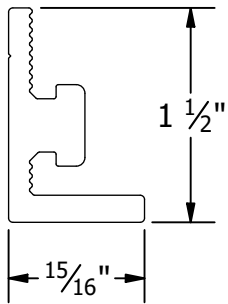
PRODUCT LINE:	SOLARMOUNT
DRAWING TYPE:	PART & ASSEMBLY
DESCRIPTION:	L-FOOT
REVISION DATE:	9/27/2017

DRAWING NOT TO SCALE
ALL DIMENSIONS ARE
NOMINAL

PRODUCT PROTECTED BY
ONE OR MORE US PATENTS
LEGAL NOTICE

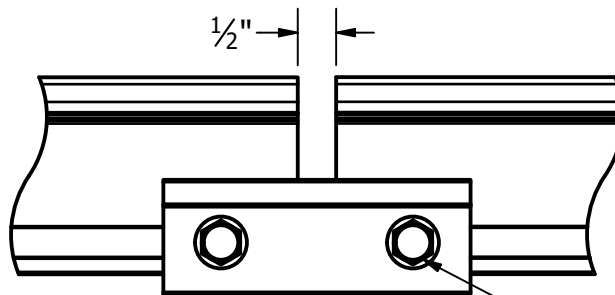
SM-A04
SHEET

BONDING SPLICE BAR



5/16"-18 TYPE F THREAD
CUTTING SCREWS INCLUDED

TYPICAL SPLICE BAR DETAIL



NOTE THAT ONLY 2 SCREWS ARE
USED AT AN EXPANSION JOINT.
THE SPLICE BAR DOES NOT BOND
ACROSS AN EXPANSION JOINT.
SEE INSTALLATION GUIDE FOR
INSTRUCTION.

TYPICAL EXPANSION JOINT DETAIL

PART # TABLE

P/N	DESCRIPTION
303019M	BND SPLICE BAR PRO SERIES MILL
303019D	BND SPLICE BAR PRO SERIES DRK



1411 BROADWAY BLVD. NE
ALBUQUERQUE, NM 87102 USA
PHONE: 505.242.6411
WWW.UNIRAC.COM

PRODUCT LINE:	SOLARMOUNT
DRAWING TYPE:	PART & ASSEMBLY
DESCRIPTION:	BONDING SPLICE BAR PRO SERIES
REVISION DATE:	8/23/2018

DRAWING NOT TO SCALE
ALL DIMENSIONS ARE
NOMINAL

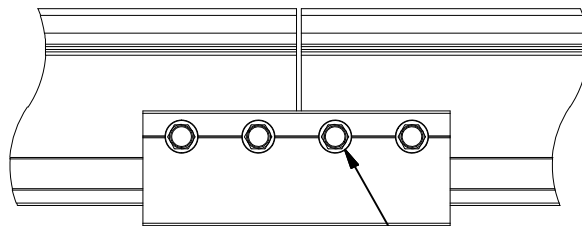
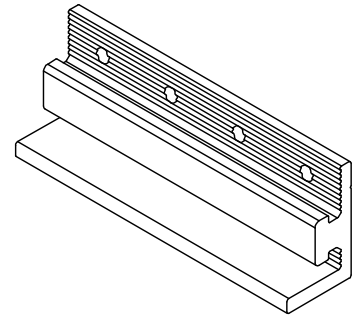
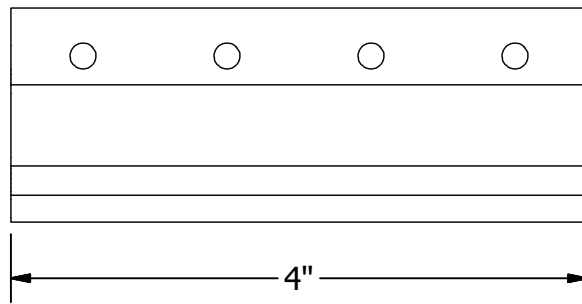
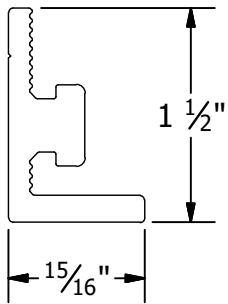
PRODUCT PROTECTED BY
ONE OR MORE US PATENTS

LEGAL NOTICE

SM-A05

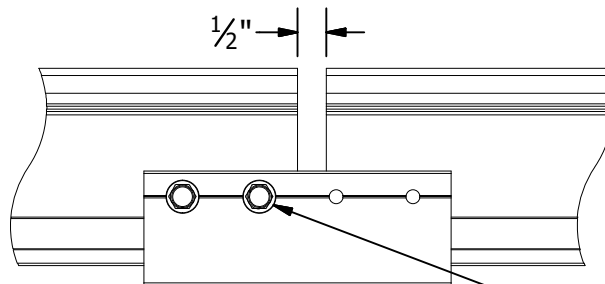
SHEET

BONDING SPLICE BAR



#12 X 3/4" SELF DRILLING SS SCREWS INCLUDED

TYPICAL SPLICE BAR DETAIL



NOTE THAT ONLY 2 SCREWS ARE USED AT AN EXPANSION JOINT. THE SPLICE BAR DOES NOT BOND ACROSS AN EXPANSION JOINT. SEE INSTALLATION GUIDE FOR INSTRUCTION.

TYPICAL EXPANSION JOINT DETAIL

PART # TABLE

P/N	DESCRIPTION
303018C	BND SPLICE BAR SERRATED CLR
303018D	BND SPLICE BAR SERRATED DRK



1411 BROADWAY BLVD. NE
ALBUQUERQUE, NM 87102 USA
PHONE: 505.242.6411
WWW.UNIRAC.COM

PRODUCT LINE:	SOLARMOUNT
DRAWING TYPE:	PART & ASSEMBLY
DESCRIPTION:	BONDING SPLICE BAR
REVISION DATE:	9/27/2017

DRAWING NOT TO SCALE
ALL DIMENSIONS ARE
NOMINAL

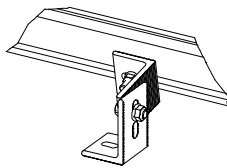
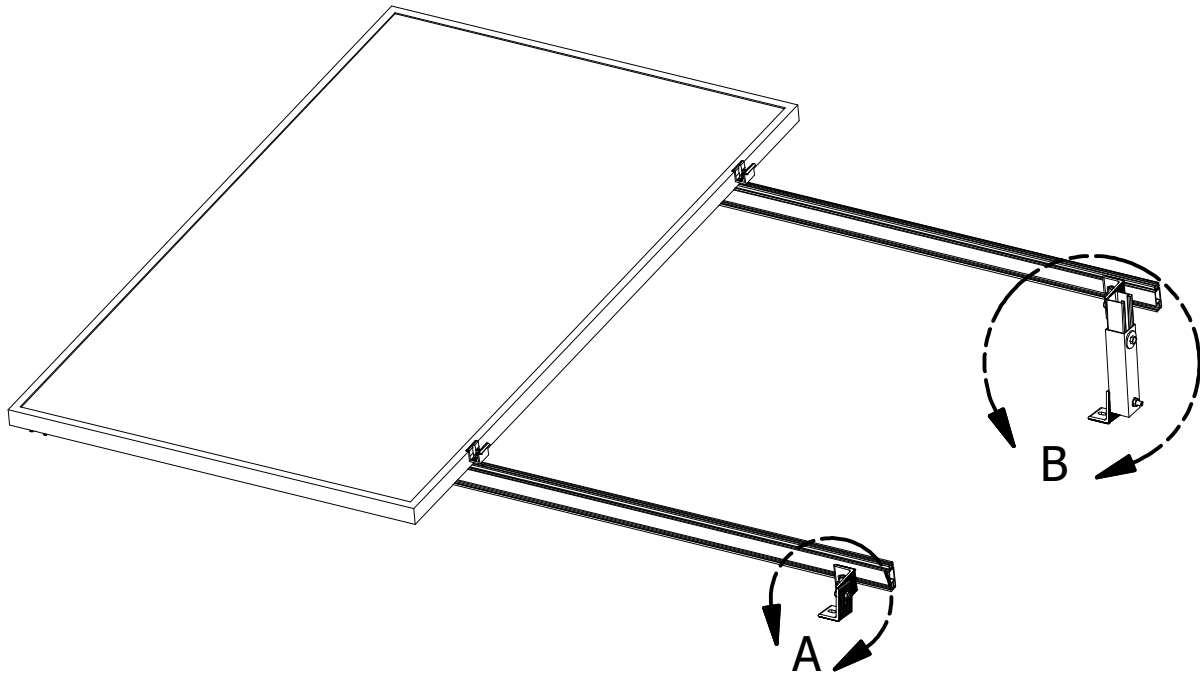
PRODUCT PROTECTED BY
ONE OR MORE US PATENTS
LEGAL NOTICE

SM-A05

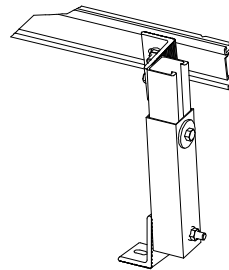
SHEET

NOTES:

1. SEE SM T1H INSTALLATION GUIDE FOR ASSEMBLY INSTRUCTIONS.



DETAIL A
FRONT L-FOOT HINGE



DETAIL B
REAR TILT LEG



1411 BROADWAY BLVD. NE
ALBUQUERQUE, NM 87102 USA
PHONE: 505.242.6411
WWW.UNIRAC.COM

PRODUCT LINE:	SOLARMOUNT TILT
DRAWING TYPE:	ASSEMBLY
DESCRIPTION:	LOW PROFILE TILT
REVISION DATE:	9/27/2017

DRAWING NOT TO SCALE
ALL DIMENSIONS ARE
NOMINAL

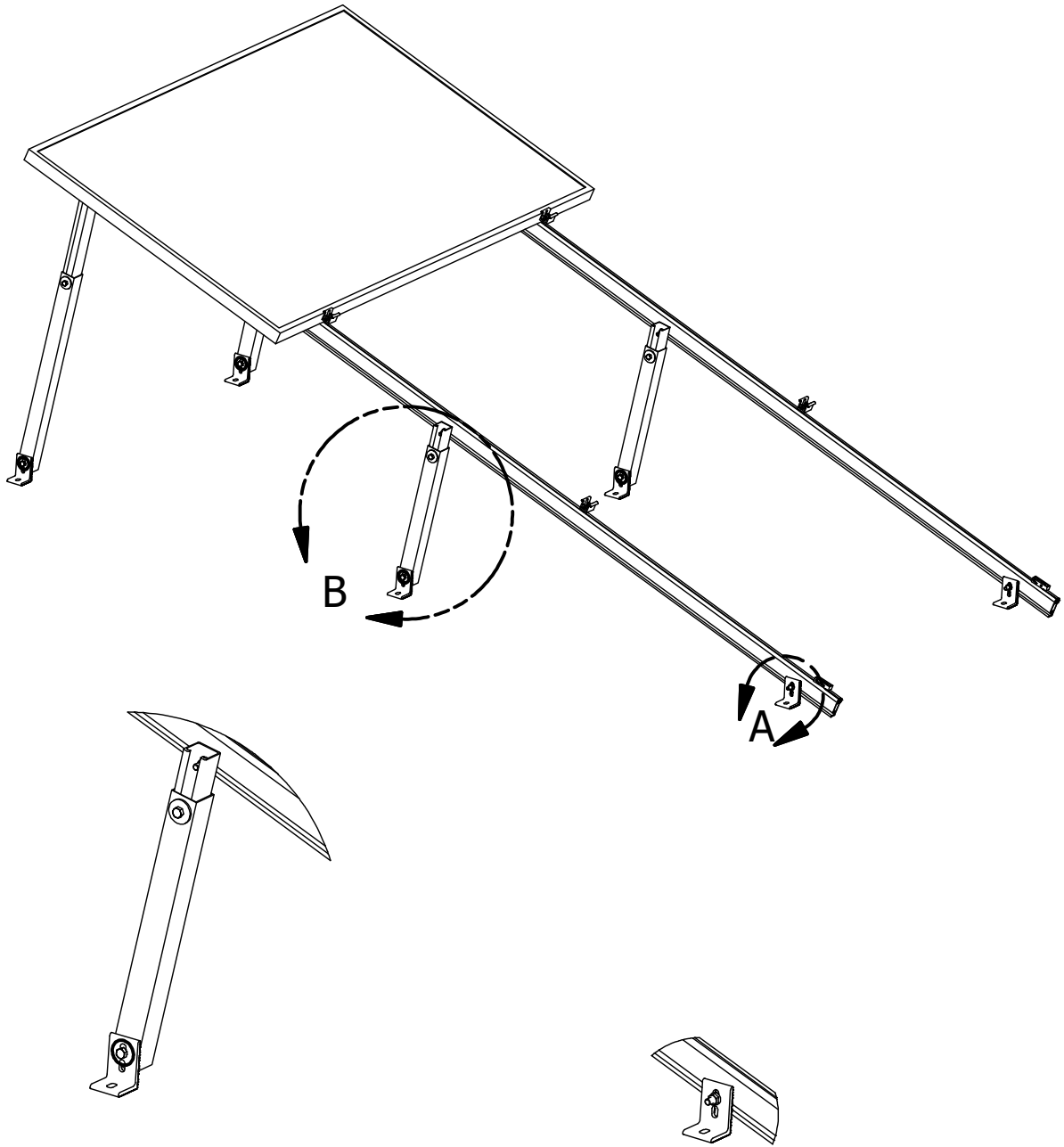
PRODUCT PROTECTED BY
ONE OR MORE US PATENTS
LEGAL NOTICE

SM-A07

SHEET

NOTES:

1. SEE SM T1H INSTALLATION GUIDE FOR ASSEMBLY INSTRUCTIONS.



DETAIL B
REAR TILT LEG

DETAIL A
L FOOT



1411 BROADWAY BLVD. NE
ALBUQUERQUE, NM 87102 USA
PHONE: 505.242.6411
WWW.UNIRAC.COM

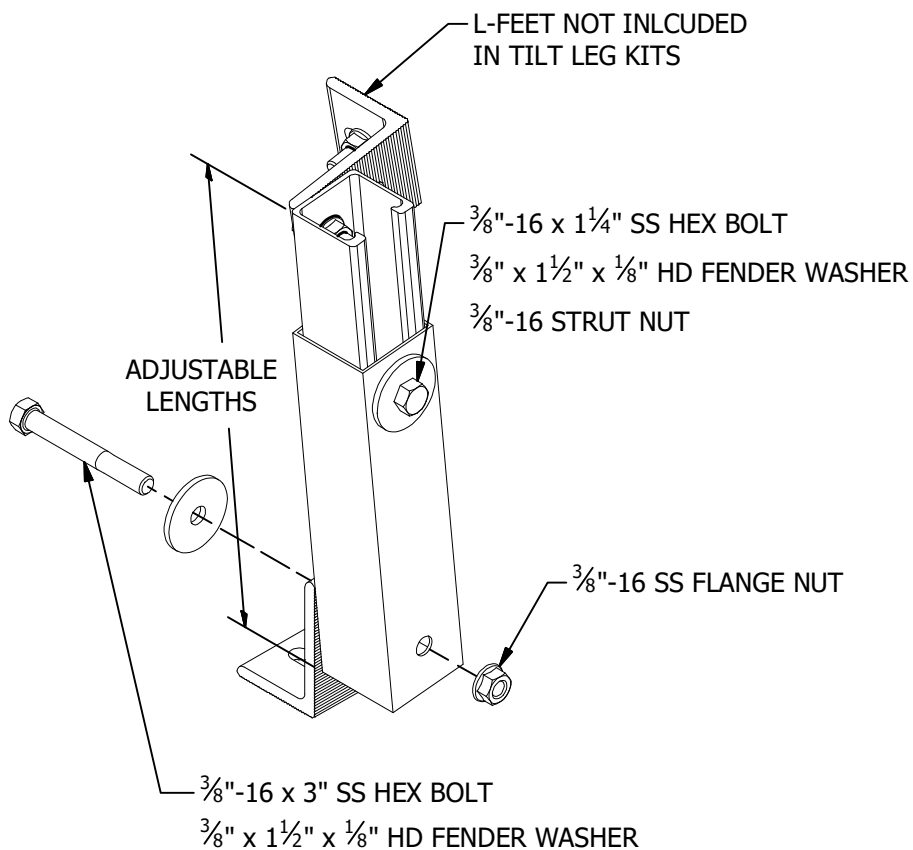
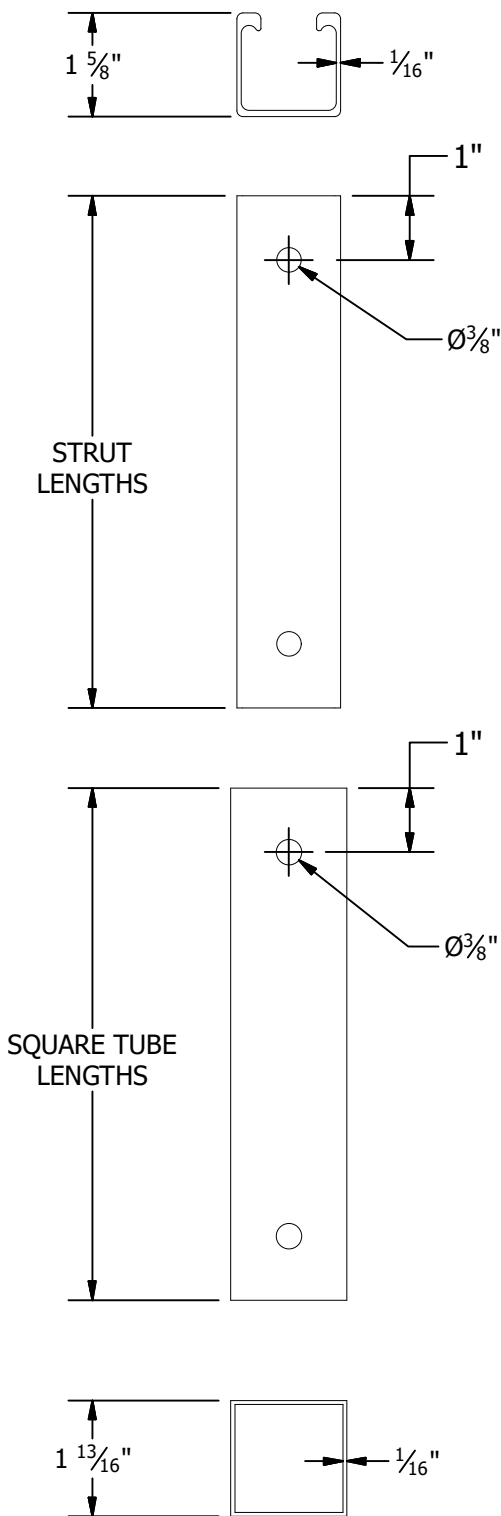
PRODUCT LINE:	SOLARMOUNT TILT
DRAWING TYPE:	ASSEMBLY
DESCRIPTION:	HIGH PROFILE TILT
REVISION DATE:	9/27/2017

DRAWING NOT TO SCALE
ALL DIMENSIONS ARE
NOMINAL

PRODUCT PROTECTED BY
ONE OR MORE US PATENTS
LEGAL NOTICE

SM-A08

SHEET



TILT LEG TABLE				
P/N	DESCRIPTION	TOTAL ADJUSTABLE LENGTHS	SQUARE TUBE	STRUT
307107M	SM ADJ TILT LEG, 8"-12", W/HDW	8" to 12"	8"	8"
307115M	SM ADJ TILT LEG, 18"-30", W/HDW	18" to 30"	18"	18"
307120M	SM ADJ TILT LEG, 26"-44", W/HDW	26" to 44"	26"	26"
307134M	SM ADJ TILT LEG, 40"-72", W/HDW	40" to 72"	40"	40"



1411 BROADWAY BLVD. NE
 ALBUQUERQUE, NM 87102 USA
 PHONE: 505.242.6411
 WWW.UNIRAC.COM

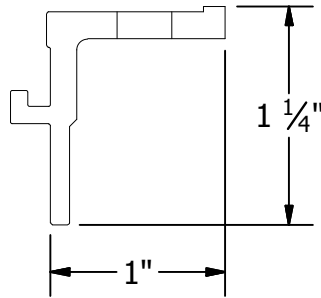
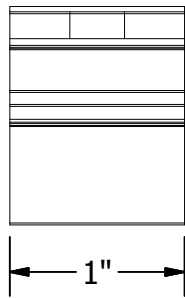
PRODUCT LINE:	SOLARMOUNT TILT
DRAWING TYPE:	ASSEMBLY
DESCRIPTION:	ADJUSTABLE TILT LEG
REVISION DATE:	9/27/2017

DRAWING NOT TO SCALE
 ALL DIMENSIONS ARE
 NOMINAL

PRODUCT PROTECTED BY
 ONE OR MORE US PATENTS
 LEGAL NOTICE

SM-A09

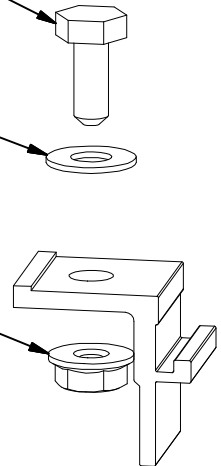
SHEET



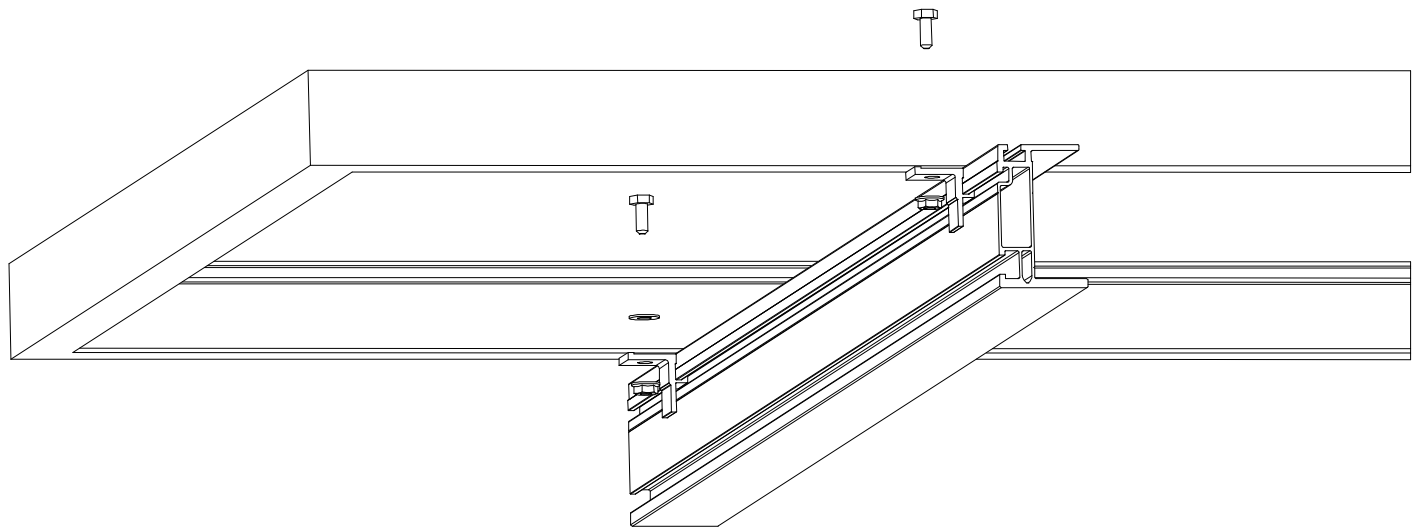
1/4"-20 X 3/4" SS HEX HEAD BOLT

1/4" FLAT WASHER

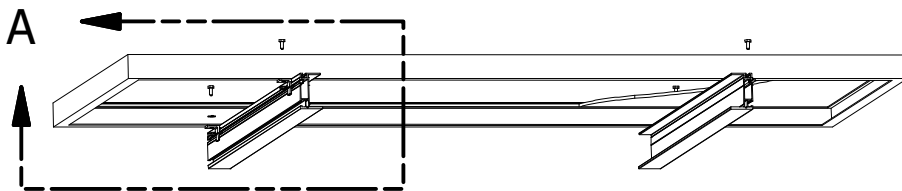
1/4"-20 SS FLANGE NUT



BOTTOM CLIP



DETAIL A



PART # TABLE

P/N	DESCRIPTION
302000C	SMHD BOTTOM CLIPS W/HDW CLR



1411 BROADWAY BLVD. NE
ALBUQUERQUE, NM 87102 USA
PHONE: 505.242.6411
WWW.UNIRAC.COM

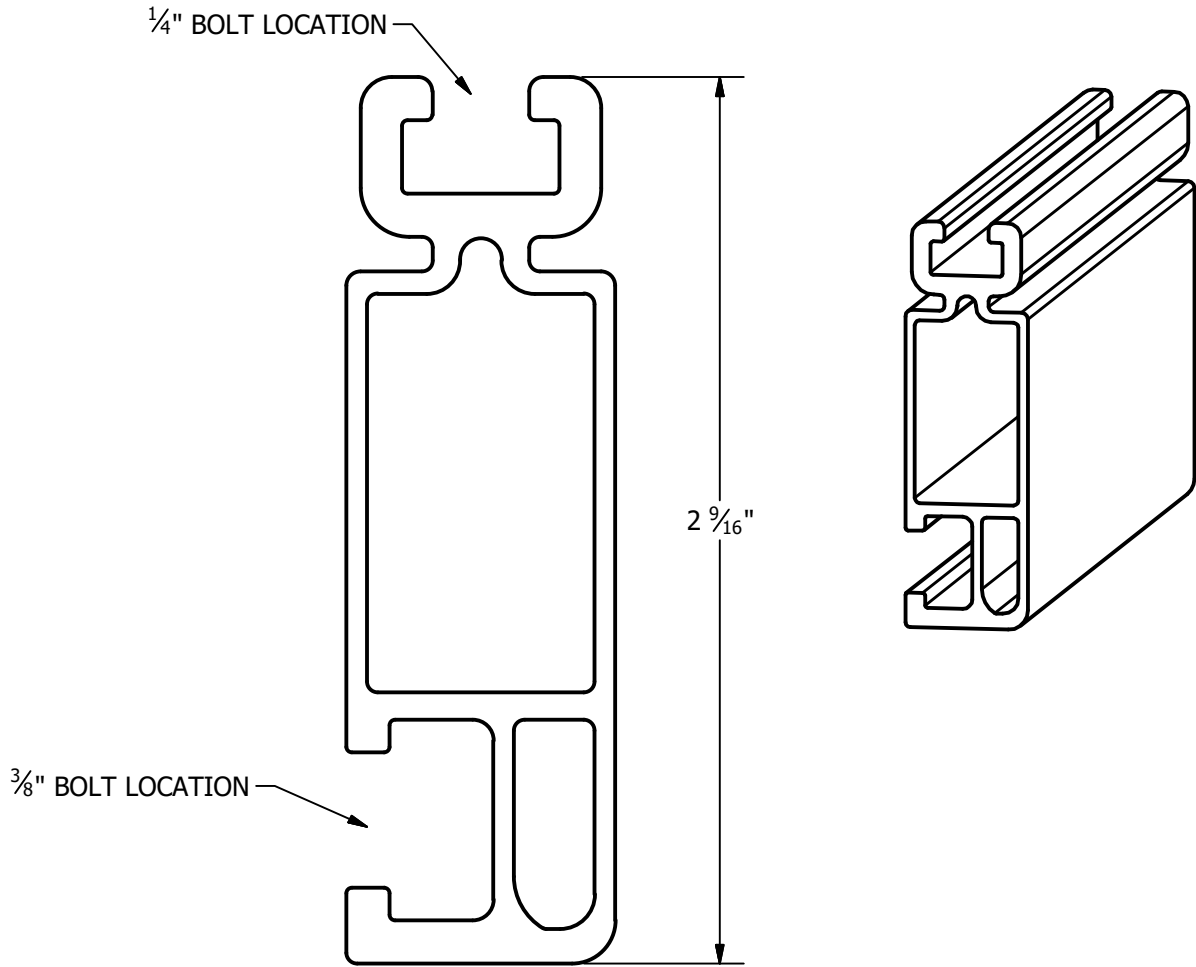
PRODUCT LINE:	SOLARMOUNT HD
DRAWING TYPE:	PART & ASSEMBLY
DESCRIPTION:	BOTTOM CLIP
REVISION DATE:	9/27/2017

DRAWING NOT TO SCALE
ALL DIMENSIONS ARE
NOMINAL

PRODUCT PROTECTED BY
ONE OR MORE US PATENTS
LEGAL NOTICE

SM-A10

SHEET



PART # TABLE		
P/N	DESCRIPTION	LENGTH
320132M	SM RAIL 132" MILL	132"
310132C	SM RAIL 132" CLR	132"
320168M	SM RAIL 168" MILL	168"
310168C	SM RAIL 168" CLR	168"
320168D	SM RAIL 168" DRK	168"
320208M	SM RAIL 208" MILL	208"
310208C	SM RAIL 208" CLR	208"
320240M	SM RAIL 240" MILL	240"
310240C	SM RAIL 240" CLR	240"
310240D	SM RAIL 240" DRK	240"


 1411 BROADWAY BLVD. NE
 ALBUQUERQUE, NM 87102 USA
 PHONE: 505.242.6411
 WWW.UNIRAC.COM

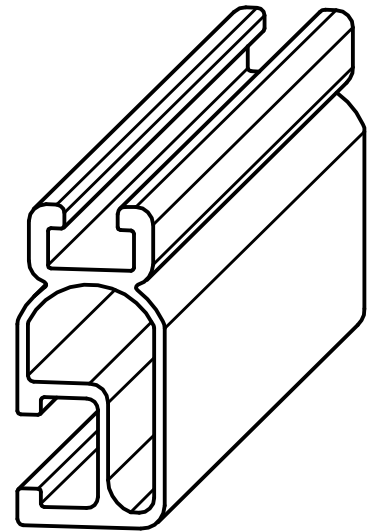
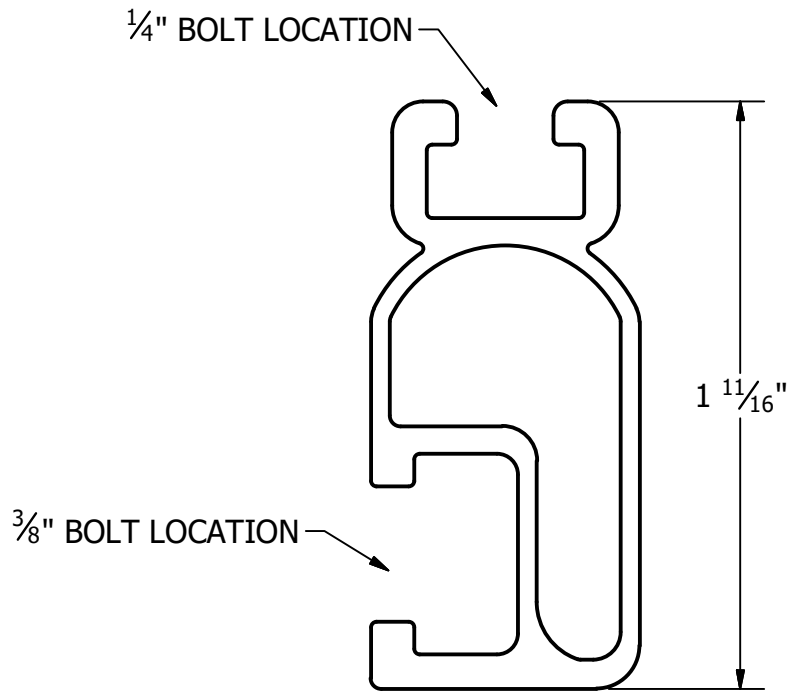
PRODUCT LINE:	SOLARMOUNT
DRAWING TYPE:	PART DETAIL
DESCRIPTION:	STANDARD RAIL
REVISION DATE:	9/11/2017

DRAWING NOT TO SCALE
 ALL DIMENSIONS ARE
 NOMINAL

PRODUCT PROTECTED BY
 ONE OR MORE US PATENTS

LEGAL NOTICE

SM-P01
 SHEET



PART # TABLE		
P/N	DESCRIPTION	LENGTH
315168M	SM LIGHT RAIL 168" MILL	168"
315168D	SM LIGHT RAIL 168" DRK	168"
315240M	SM LIGHT RAIL 240" MILL	240"
315240D	SM LIGHT RAIL 240" DRK	240"



1411 BROADWAY BLVD. NE
 ALBUQUERQUE, NM 87102 USA
 PHONE: 505.242.6411
 WWW.UNIRAC.COM

PRODUCT LINE: SOLARMOUNT

DRAWING TYPE: PART DETAIL

DESCRIPTION: LIGHT RAIL

REVISION DATE: 9/11/2017

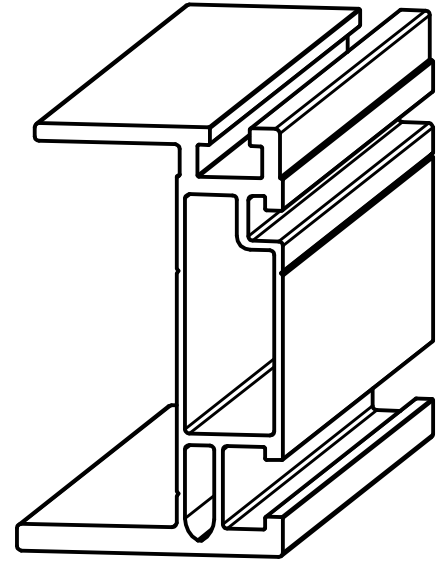
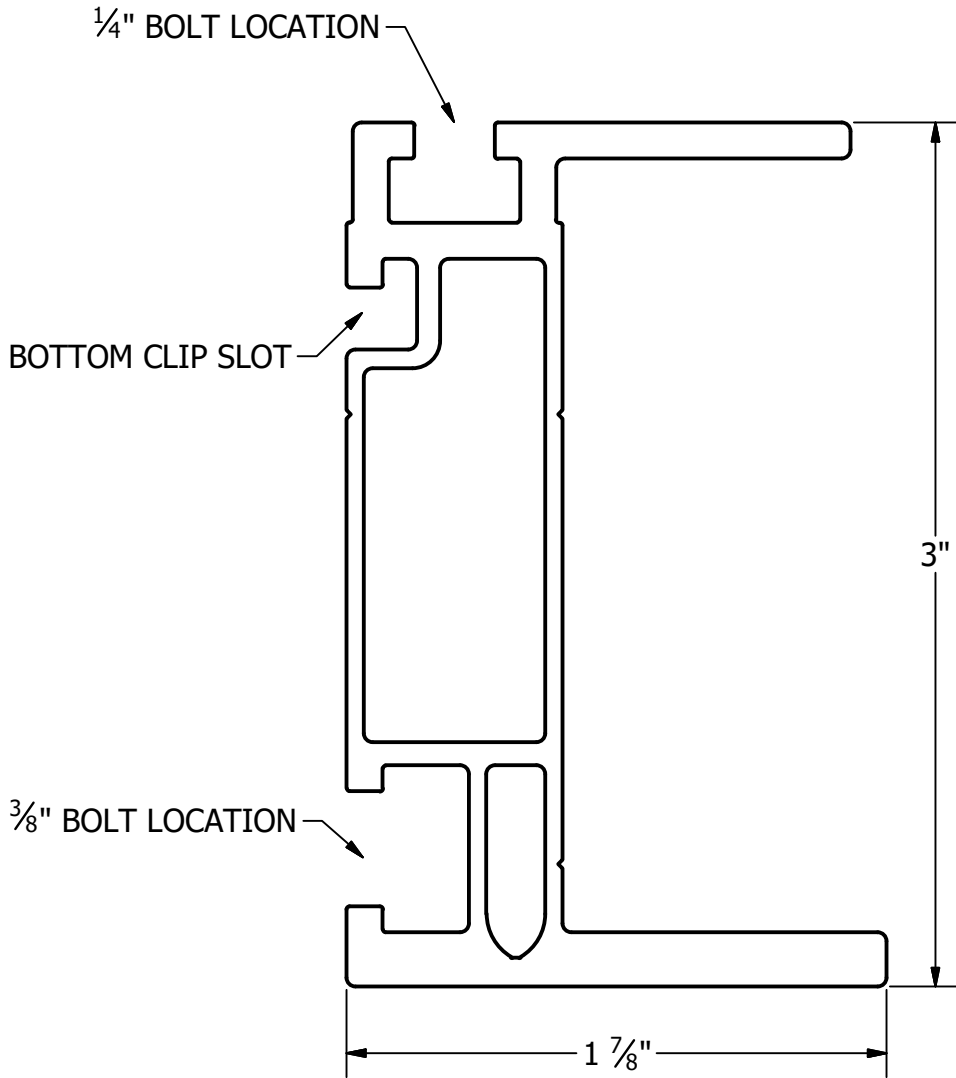
DRAWING NOT TO SCALE
 ALL DIMENSIONS ARE
 NOMINAL

PRODUCT PROTECTED BY
 ONE OR MORE US PATENTS

LEGAL NOTICE

SM-P02

SHEET



PART # TABLE		
P/N	DESCRIPTION	LENGTH
410144M	SMHD, RAIL 144" MILL	144"
410168M	SMHD, RAIL 168" MILL	168"
410204M	SMHD, RAIL 204" MILL	204"
410240M	SMHD, RAIL 240" MILL	240"

UNIRAC[®]
 1411 BROADWAY BLVD. NE
 ALBUQUERQUE, NM 87102 USA
 PHONE: 505.242.6411
 WWW.UNIRAC.COM

PRODUCT LINE:	SOLARMOUNT
DRAWING TYPE:	PART DETAIL
DESCRIPTION:	HD RAIL
REVISION DATE:	9/11/2017

DRAWING NOT TO SCALE
 ALL DIMENSIONS ARE
 NOMINAL

PRODUCT PROTECTED BY
 ONE OR MORE US PATENTS

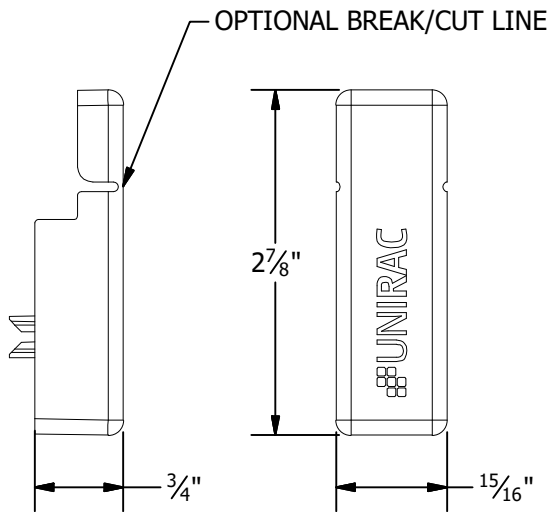
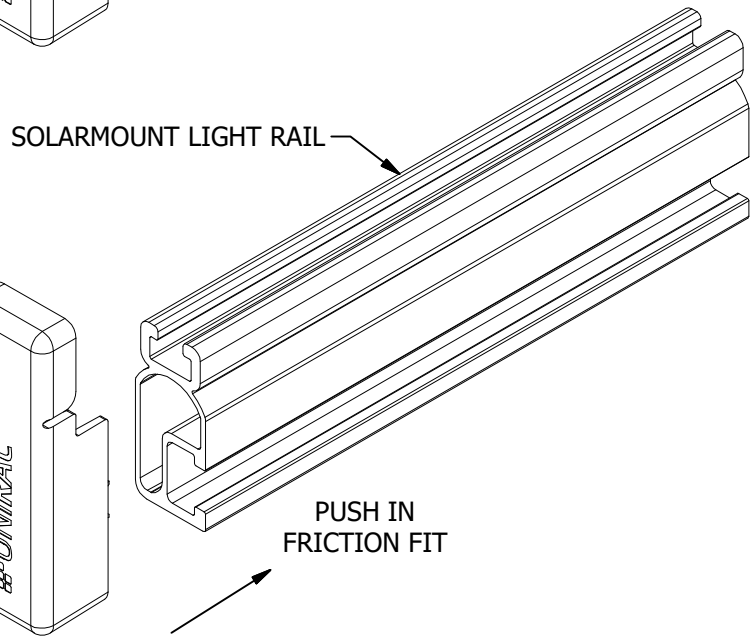
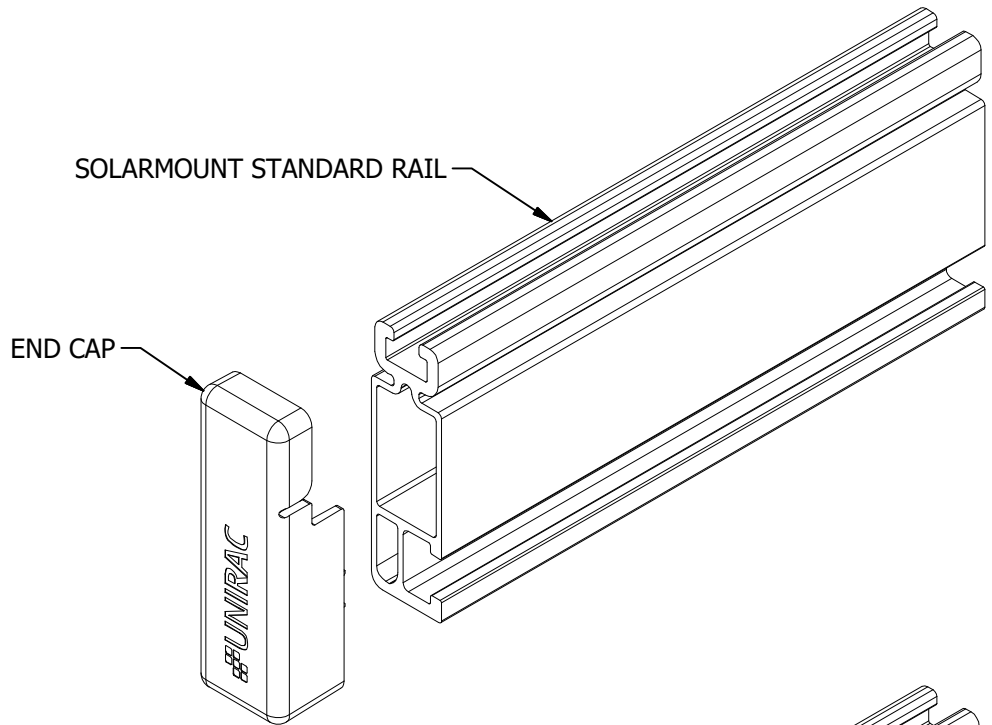
LEGAL NOTICE

SM-P03

SHEET

NOTES:

1. END CAP INCLUDED WITH EVERY END CLAMP.
2. END CAP FITS SOLARMOUNT LIGHT AND STANDARD RAIL PROFILES.



1411 BROADWAY BLVD. NE
ALBUQUERQUE, NM 87102 USA
PHONE: 505.242.6411
WWW.UNIRAC.COM

PRODUCT LINE: SOLARMOUNT

DRAWING TYPE: PART DETAIL

DESCRIPTION: END CAPS

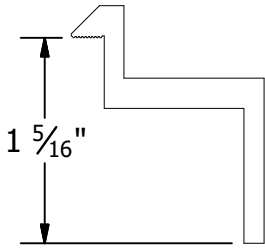
REVISION DATE: 9/27/2017

DRAWING NOT TO SCALE
ALL DIMENSIONS ARE
NOMINAL

PRODUCT PROTECTED BY
ONE OR MORE US PATENTS
LEGAL NOTICE

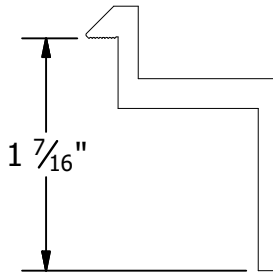
SM-P04

SHEET



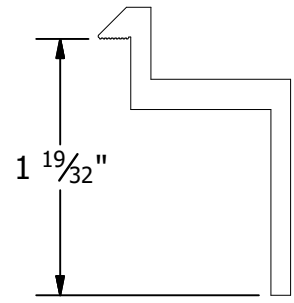
B CLAMP

30mm to 32mm Module Thickness
(1.18" to 1.26")



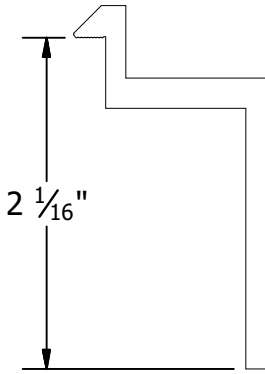
C CLAMP

33mm to 36mm Module Thickness
(1.30" to 1.42")



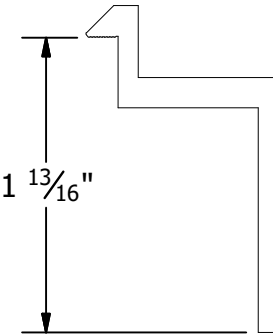
D CLAMP

38mm to 40mm Module Thickness
(1.50" to 1.57")



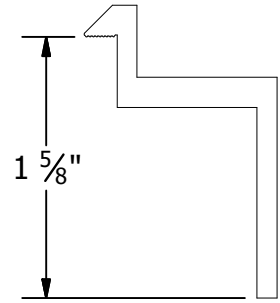
E CLAMP

50mm to 51mm Module Thickness
(1.97" to 2.00")



F CLAMP

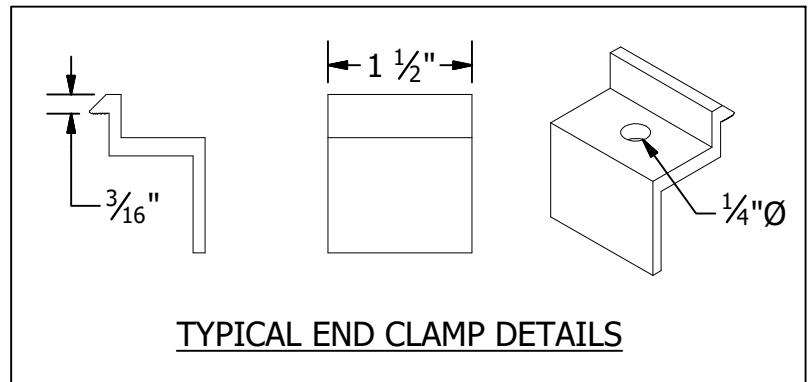
45mm to 47mm Module Thickness
(1.77" to 1.85")



K CLAMP

39mm to 41mm Module Thickness
(1.54" to 1.61")

PART # TABLE	
P/N	DESCRIPTION
302021C	SM ENDCLAMP B CLR AL
302021D	SM ENDCLAMP B DRK AL
302022C	SM ENDCLAMP C CLR AL
302022D	SM ENDCLAMP C DRK AL
302023C	SM ENDCLAMP D CLR AL
302023D	SM ENDCLAMP D DRK AL
303024C	SM ENDCLAMP E CLR AL
302024D	SM ENDCLAMP E DRK AL
302025C	SM ENDCLAMP F CLR AL
302025D	SM ENDCLAMP F DRK AL
302026C	SM ENDCLAMP K CLR AL
302026D	SM ENDCLAMP K DRK AL



1411 BROADWAY BLVD. NE
ALBUQUERQUE, NM 87102 USA
PHONE: 505.242.6411
WWW.UNIRAC.COM

PRODUCT LINE:	SOLARMOUNT
DRAWING TYPE:	PART DETAIL
DESCRIPTION:	END CLAMPS - TOP MOUNTING
REVISION DATE:	9/27/2017

DRAWING NOT TO SCALE ALL DIMENSIONS ARE NOMINAL
PRODUCT PROTECTED BY ONE OR MORE US PATENTS LEGAL NOTICE

SM-P05

SHEET