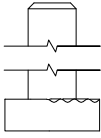


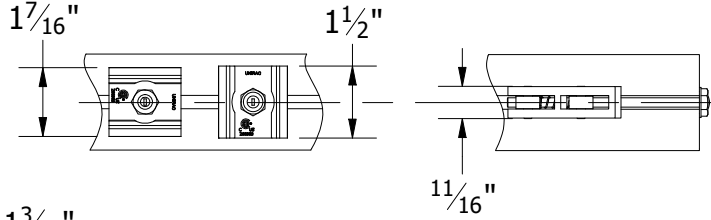
TOP VIEW

INSTALLED T-BOLT MARK MUST ALWAYS FACE NORTH - SOUTH

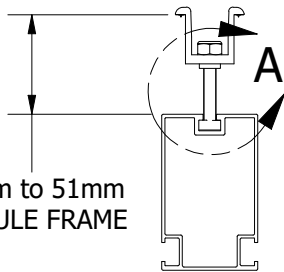
PART # TABLE	
P/N	DESCRIPTION
302040M	PRO ENDCLAMP
302030M	MILL PRO MIDCLAMP
302030D	DARK PRO MIDCLAMP



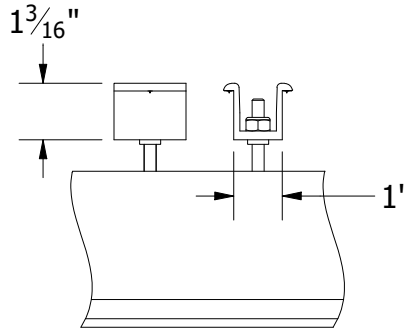
DETAIL A



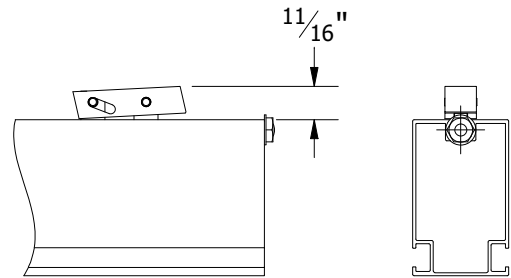
11/16"



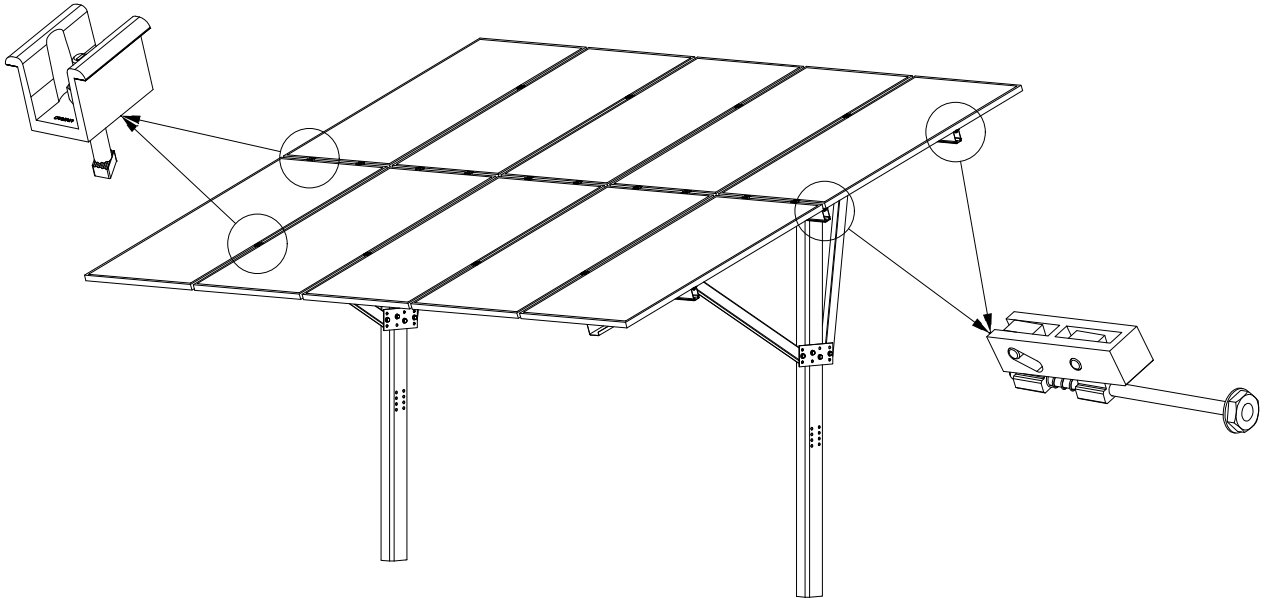
30mm to 51mm  
MODULE FRAME



PRO SERIES MIDCLAMP



PRO SERIES ENDCLAMP



1411 BROADWAY BLVD. NE  
ALBUQUERQUE, NM 87102 USA  
PHONE: 505.242.6411  
WWW.UNIRAC.COM

PRODUCT LINE:	GFT
DRAWING TYPE:	ASSEMBLY DETAIL
DESCRIPTION:	PRO SERIES BONDING CLAMPS
REVISION DATE:	10/23/2019

DRAWING NOT TO SCALE  
ALL DIMENSIONS ARE  
NOMINAL

PRODUCT PROTECTED BY  
ONE OR MORE US PATENTS  
LEGAL NOTICE

GFT-A01

SHEET